

# PRODUCT INFORMATION PACKET



Model No: B2852  
Catalog No: B2852  
Pool Pump Motor, 3/4 HP, 1 Ph, 60 Hz, 230/115 V, 3600 RPM, P56Y Frame, DP



Regal and Century are trademarks of Regal Rexnord Corporation or one of its affiliated companies.  
©2022 Regal Rexnord Corporation, All Rights Reserved. MC017097E





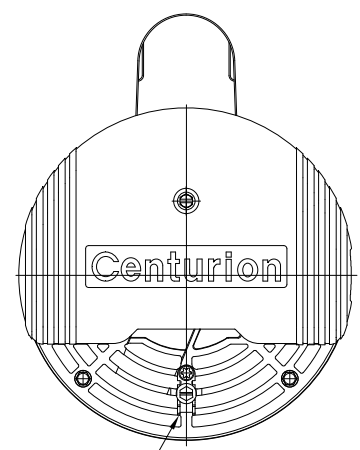
**Nameplate Specifications**

Output HP	<b>3/4 Hp</b>	Output KW	<b>0.56 kW</b>
Frequency	<b>60 Hz</b>	Voltage	<b>230/115 V</b>
Current	<b>SF 5.4/10.8 A</b>	Speed	<b>3450 rpm</b>
Service Factor	<b>1.25</b>	Phase	<b>1</b>
Duty	<b>Continuous</b>	Insulation Class	<b>F</b>
Frame	<b>P56Y</b>	Enclosure	<b>Drip Proof</b>
Thermal Protection	<b>Thermally Protected</b>	Ambient Temperature	<b>50 °C</b>
UL	<b>Recognized</b>	CSA	<b>Y</b>
Number of Speeds	<b>1</b>		

**Technical Specifications**

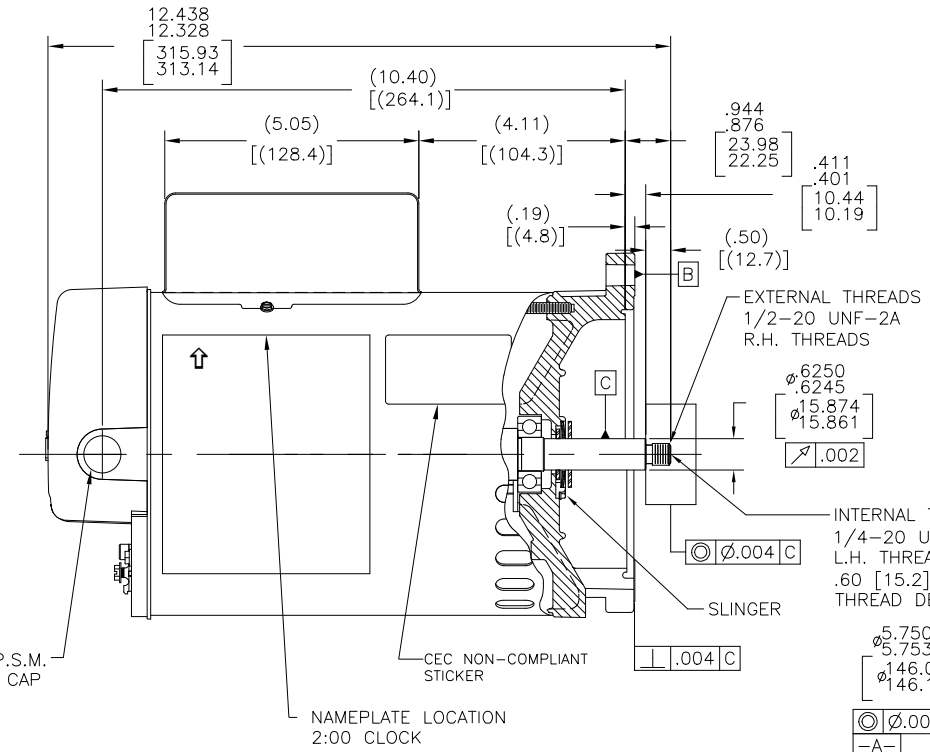
Electrical Type	<b>Permanent Split Capacitor, Single Or Dual Voltage</b>	Poles	<b>2</b>
Rotation	<b>Counterclockwise Pump End</b>	Mounting	<b>Round</b>
Motor Orientation	<b>Horizontal</b>	Drive End Bearing	<b>Ball</b>
Opp Drive End Bearing	<b>Ball</b>	Frame Material	<b>Rolled Steel</b>
Shaft Type	<b>1/2 Thread</b>	Overall Length	<b>12.40 in</b>
Frame Length	<b>8.00 in</b>	Shaft Diameter	<b>0.625 in</b>
Shaft Extension	<b>0.91 in</b>		
Connection Drawing	<b>17536729.PCX</b>	Outline Drawing	<b>B2852-S01</b>

This is an uncontrolled document once printed or downloaded and is subject to change without notice. Date Created:11/28/2022



BONDING LUG

1/2-14 N.P.S.M. WITH CAP

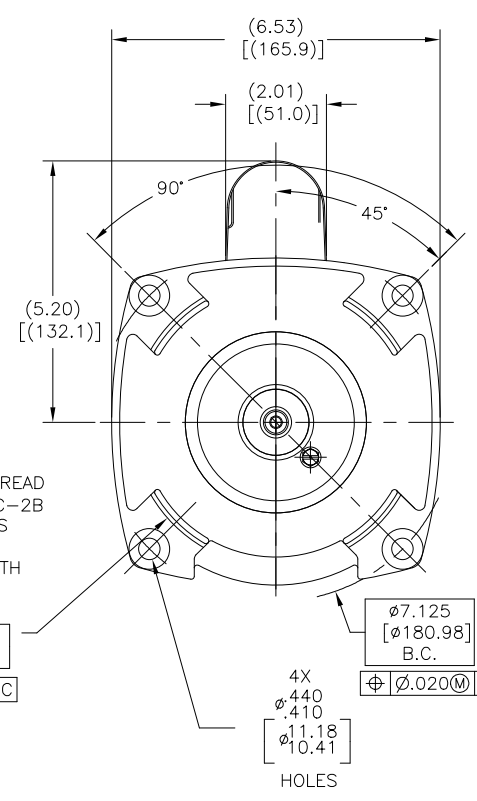


NAMEPLATE LOCATION 2:00 CLOCK

EXTERNAL THREADS 1/2-20 UNF-2A R.H. THREADS

INTERNAL THREAD 1/4-20 UNC-2B L.H. THREADS .60 [15.2] THREAD DEPTH

SLINGER



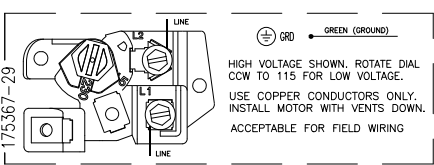
HOLES

NAMEPLATE DATA

EXTERNAL CONNECTION DIAGRAM

NOTES

MODEL: F56AA36A01  
 CUST PN: B2852  
 HP: 3/4 SF: 1.25  
 ROT: CCWPE  
 RPM: 3450  
 TYPE: CX CODE: N  
 FORM: KJM FRAME: P 56 Y  
 VOLTS: 230/115  
 AMPS: 5.4/10.8  
 MAX AMPS:  
 SF AMPS:  
 PH: 1 HZ: 60  
 INS: F AMB: 50 C  
 DUTY: CONT  
 ENCLOSURE: DP  
 THERMALLY PROTECTED



- FOR THREADED SHAFT EXTENSION ECCENTRICITY OF THREADED PORTION OF SHAFT IS HELD WITHIN .004[.10] TOTAL GAGE READING WITH THE INDICATOR ON O.D. OF BROUND RING GAGE AS SHOWN. THE GAGE BEING STATIONARY WITH RESPECT TO THE ROTOR.
- END PLAY NOT TO EXCEED .010[.25] MEASURED WITH NO THRUST.
- FINISH PAINT TO BE BLACK.
- REFERENCE MODEL: B2846.
- CONNECTED FOR 230V. DUAL VOLTAGE MOTOR. SEE CONNECTION DIAGRAM TO CHANGE VOLTS TO 115V.
- CTQ REQUIREMENT SEE EPO00105-008
- RoHS & REACH REQUIREMENT SEE EPO00014.

PERFORMANCE CURVE		APPROVED SAMPLE	
16345117		B2846	
UL COMPONENT		CSA	
FILE#	CCN#	FILE#	GUIDE#
PENDING	PENDING	PENDING	PENDING
CUSTOMER	DISTRIBUTION		

CRITICAL TO QUALITY CHARACTERISTICS(CTQs)	DRAWING REVISION K ECO	REVISION BY HAIXIA ZHANG TRISTIA ZHAO	DATE 04-08-2022 04-08-2022	TOLERANCES UNLESS OTHERWISE SPECIFIED DEC. INCH mm ANGLE .X ±0.1 [±3] .XX ±0.02 [±0.5] .XXX ±0.005 [±0.13] XXXX ±0.0005 [±0.013] REMOVE BURRS & BREAK SHARP EDGES .003/.015 [.08/.38] CORNER FILLETS .02 [5] MACHINED SURFACES .12/ mm 3/2 mm SHOWN IN [BRACKETS]
(P) PROCESS (E) ENGINEERING (A) APPLICATION (R) REGULATORY (L) LIFE	COPYRIGHT REGAL BELOIT AMERICA, INC. ALL RIGHTS RESERVED. PROPRIETARY AND CONFIDENTIAL INFORMATION - THIS DOCUMENT IS THE PROPERTY OF REGAL BELOIT AMERICA, INC. (OWNER) AND COMPANY OWNER'S PROPRIETARY INFORMATION. ANY REPRODUCTION OR OTHER FIRM RECEIVING IT IS DENIED. BY RECEIVING IT, TO AGREE THAT IT AND/OR ANY PART OF IT, SHALL NOT BE DISCLOSED TO ANY PERSON, CORPORATION, COMPANY OR OTHER FIRM, WITHOUT THE WRITTEN EXPRESS APPROVAL IN ADVANCE BY OWNER. THIS DOCUMENT SHALL BE RETURNED TO OWNER UPON REQUEST. IT MAY BE SUBJECT TO CERTAIN RESTRICTIONS UNDER APPLICABLE EXPORT CONTROL LAWS AND REGULATIONS.			DRAWN BY: J.HESS DATE: 06-09-2009 APPROVED BY: D.FOX DATE: 06-09-2009 REFERENCE: N/A THIRD ANGLE PROJECTION

Regal Beloit America, Inc.		DESCRIPTION	MODEL-PFHP-56FR OUTLINE
SIZE	DWG NO	MATERIAL	PROCESS/FINISH
C	B2852	N/A	N/A
SHEET			1